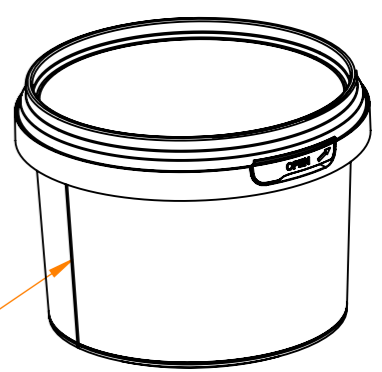


NOTES:
 MATERIAL PP FILM THICKNESS 60µm, OTHER IML MATERIAL UPON APPROVAL.
 FINISH TEXTURE ORANGE PEEL
 COLOUR CYMK FOOD SAFE
 STANDARD LACQUER FOOD SAFE.
 ARTWORK AS PER ORDER
 GRAPHICS DEFINED WITH ARTWORK SUPPLY WITH ORDER.

RoHS, WEEE & REACH COMPLIANT		Material: EUP 60µm	
Date: 2016JAN08		Finish: SEE NOTES	
Date: 2016JUN08		Project: 15-0016-P	
		Scale: NOT TO SCALE	
		Title: IML TUB 280ml ROUND Ø93.9x67.50	
DRAWN IN FIRST ANGLE PROJECTION		Sheet Size: A3	ECO: 16-048
		Revision: A	Sheet: 1 of 1



SEE NOTE 6